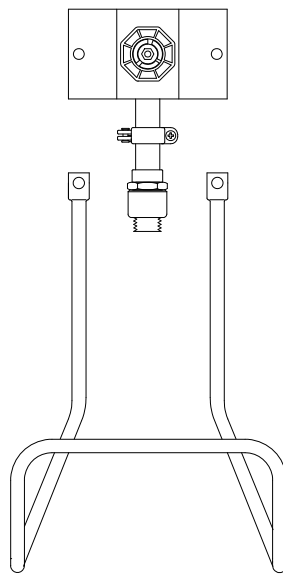




**WARNING:** This product can expose you to chemicals including lead, which is known to the State of California to cause cancer. For more information, go to [www.P65Warnings.Ca.gov](http://www.P65Warnings.Ca.gov)

# INSTALLATION ADJUSTMENT SERVICE SINGLE TEMPERATURE HOSE STATION

## SW-1571

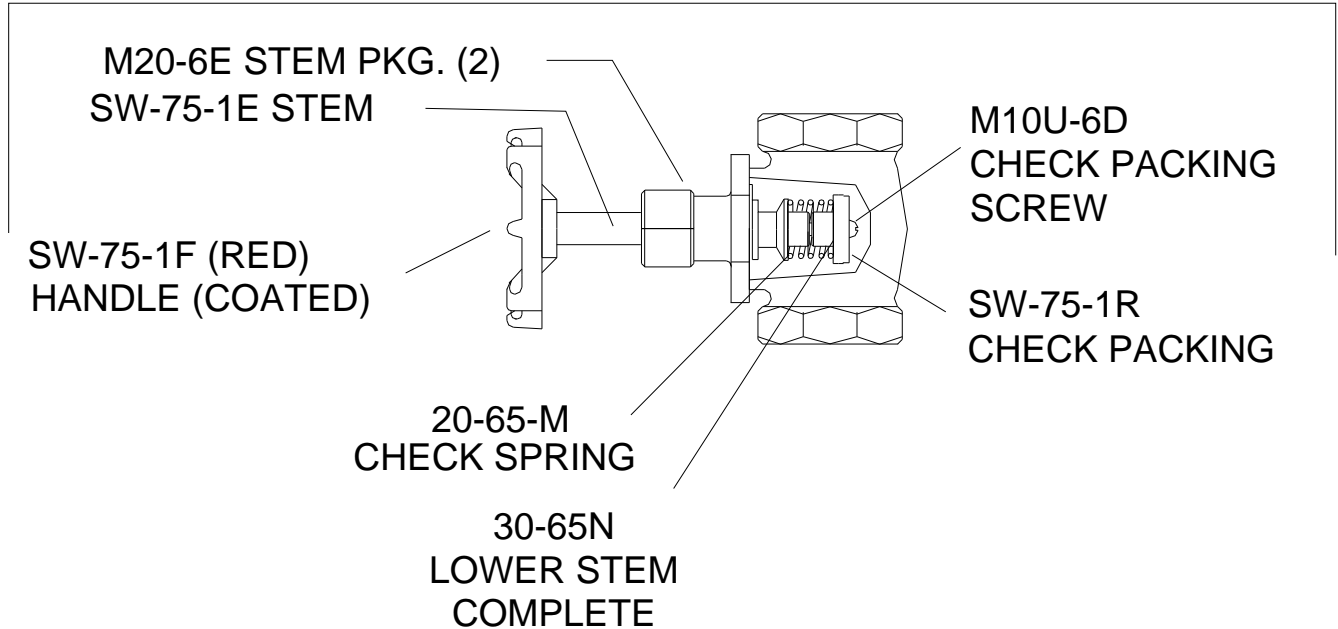


**MAXIMUM SUPPLY PRESSURE: 125 PSI**

**WHEN USING FOR HIGH TEMPERATURE WASHDOWN IN THE RANGE OF 140°F TO 180°F, OPERATORS SHOULD BE PROVIDED WITH PROTECTIVE GLOVES, BOOTS, AND CLOTHING. THEY SHOULD ALSO BE GIVEN SAFETY INSTRUCTIONS IN THE USE OF HIGH TEMPERATURE HOT WATER.**

# BLENDER PARTS

SW-75-1D-RF COMPLETE or (CP) SPECIFY HANDLE RED OR BLUE



**\*NOTE: ROUND BROACH IS OBSOLETE AND REQUIRES PURCHASE OF COMPLETE STOP/CHECK- SW-75-1D-RF, (CP) BLUE OR RED.**

## LIMITED WARRANTY

Leonard Valve Company warrants the original purchaser that products manufactured by them (not by others) will be free from defects in materials and workmanship under normal conditions of use, when properly installed and maintained in accordance with Leonard Valve Company's instructions, for a period of one year of shipment. During this period the Leonard Valve Company will at its option repair or replace any product, or part thereof, which shall be returned, freight prepaid, to the Leonard factory and determined by Leonard to be defective in materials or workmanship. There are no warranties, express or implied, which extend beyond the description contained herein. There are no implied warranties of merchantability or of fitness for a particular purpose. In no event will Leonard be liable for labor or incidental or consequential damages. Any alteration or improper installation or use of the product will void this limited warranty.

1360 Elmwood Avenue, Cranston, RI 02910 USA

Phone: 401.461.1200 Fax: 401.941.5310

Email: [info@leonardvalve.com](mailto:info@leonardvalve.com)

Web Site: <http://www.leonardvalve.com>